

SHINOLA WATCHES

SIZING GUIDE

We created this printable sizing guide to help you judge the scale of our watches on your wrist.

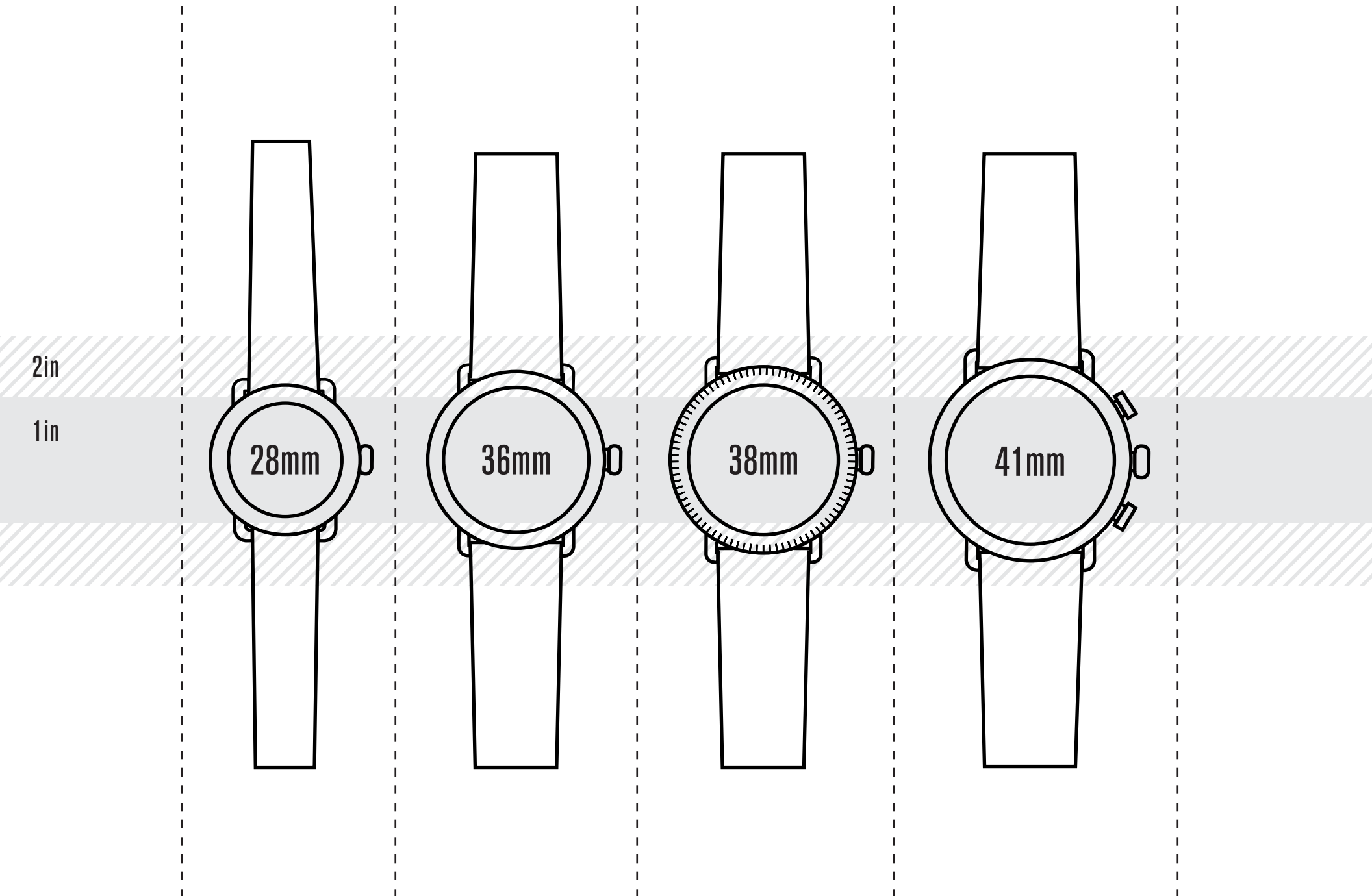
Print this template on an 8.5" x 11" piece of paper at 100% and cut out your preferred size.



RULER TO SCALE FOR REFERENCE



THE RUNWELL



2in

1in

28mm

36mm

38mm

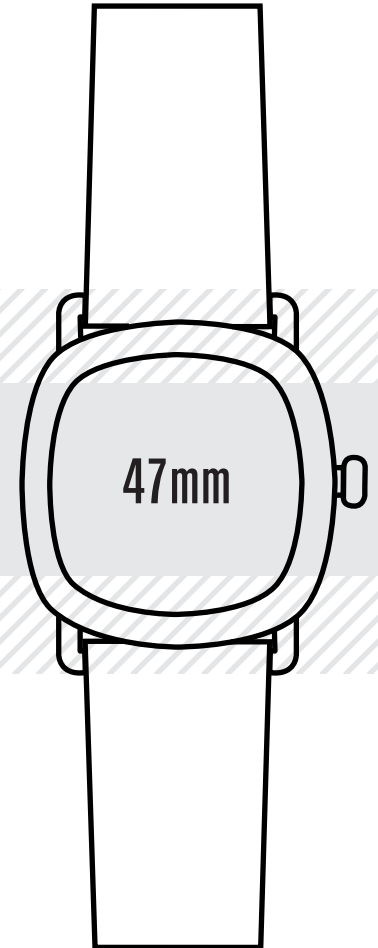
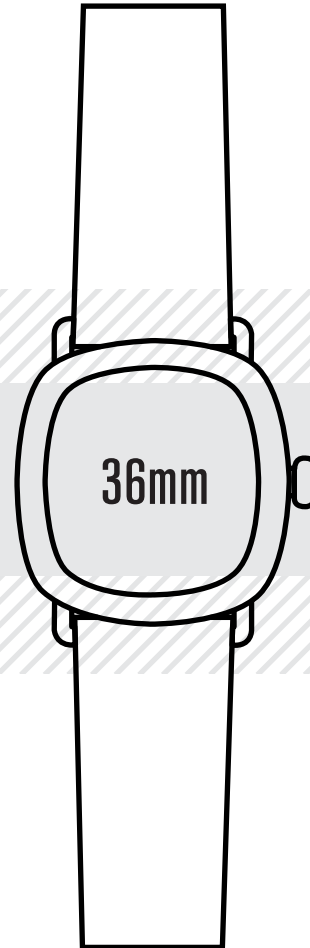
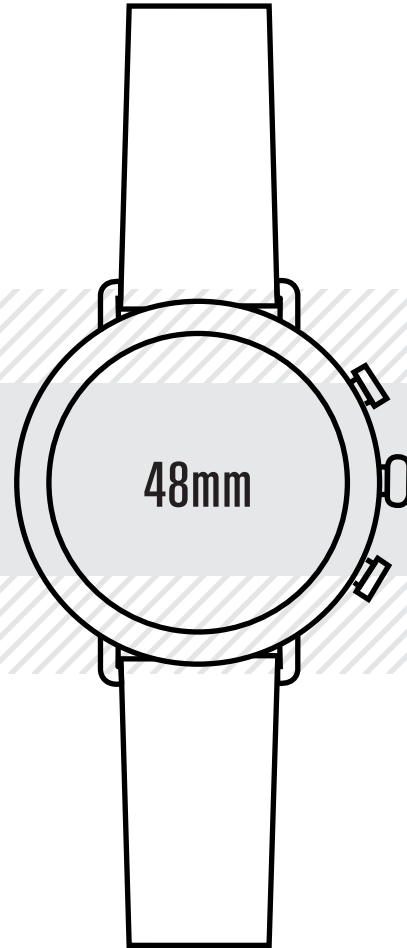
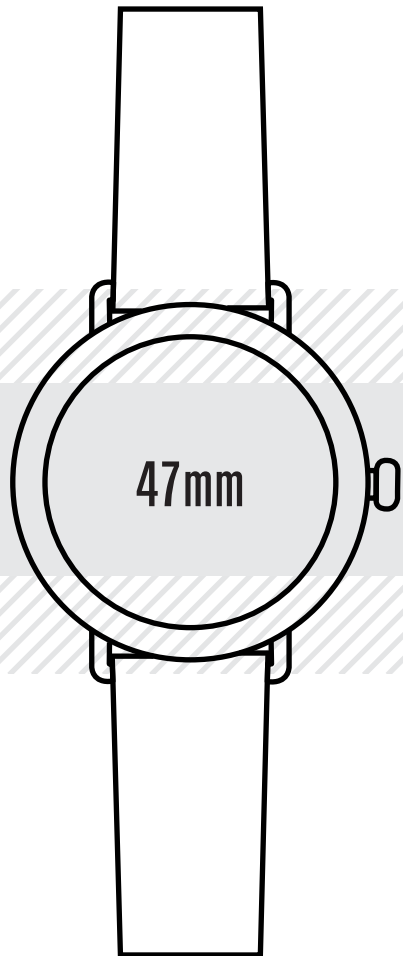
41mm

THE RUNWELL (CONT.)

THE GUARDIAN

2in

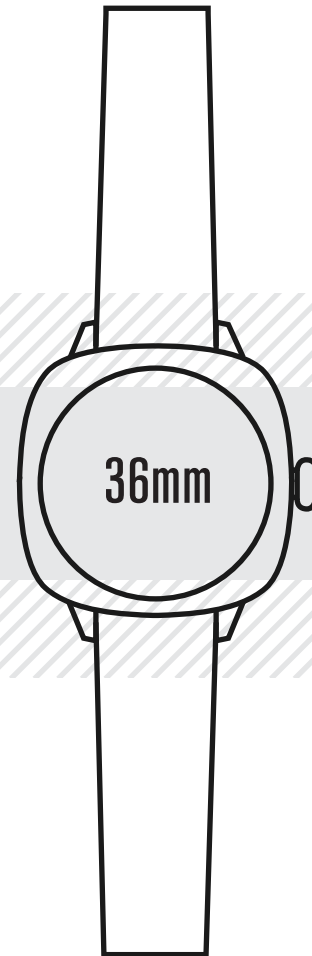
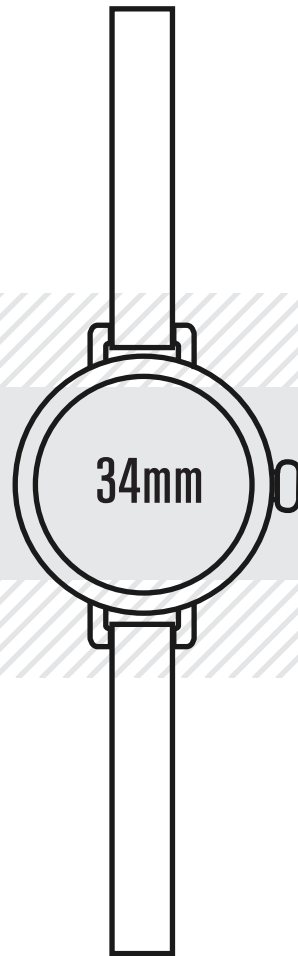
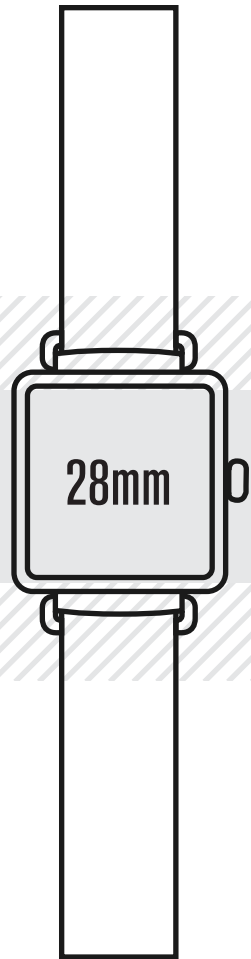
1in



THE CASS

THE BIRDY

THE GOMELSKY



2in

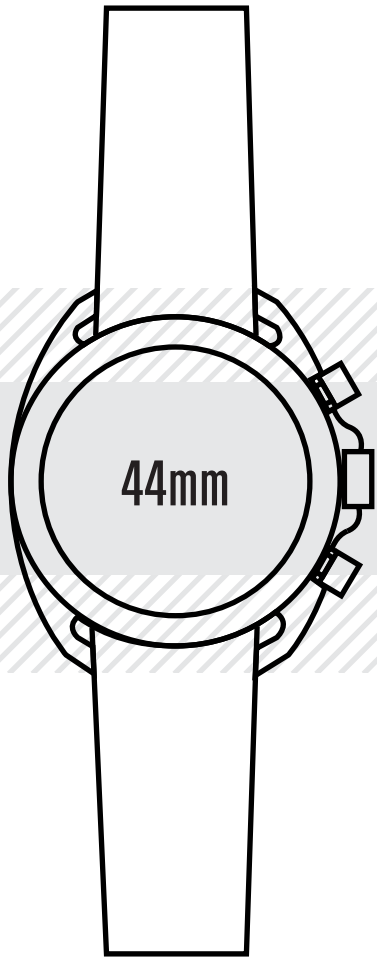
1in

THE RAMBLER

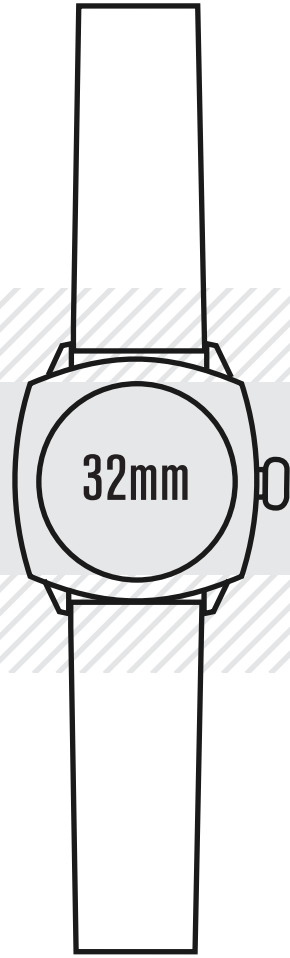
THE BRAKEMAN

2in

1in



44mm



32mm

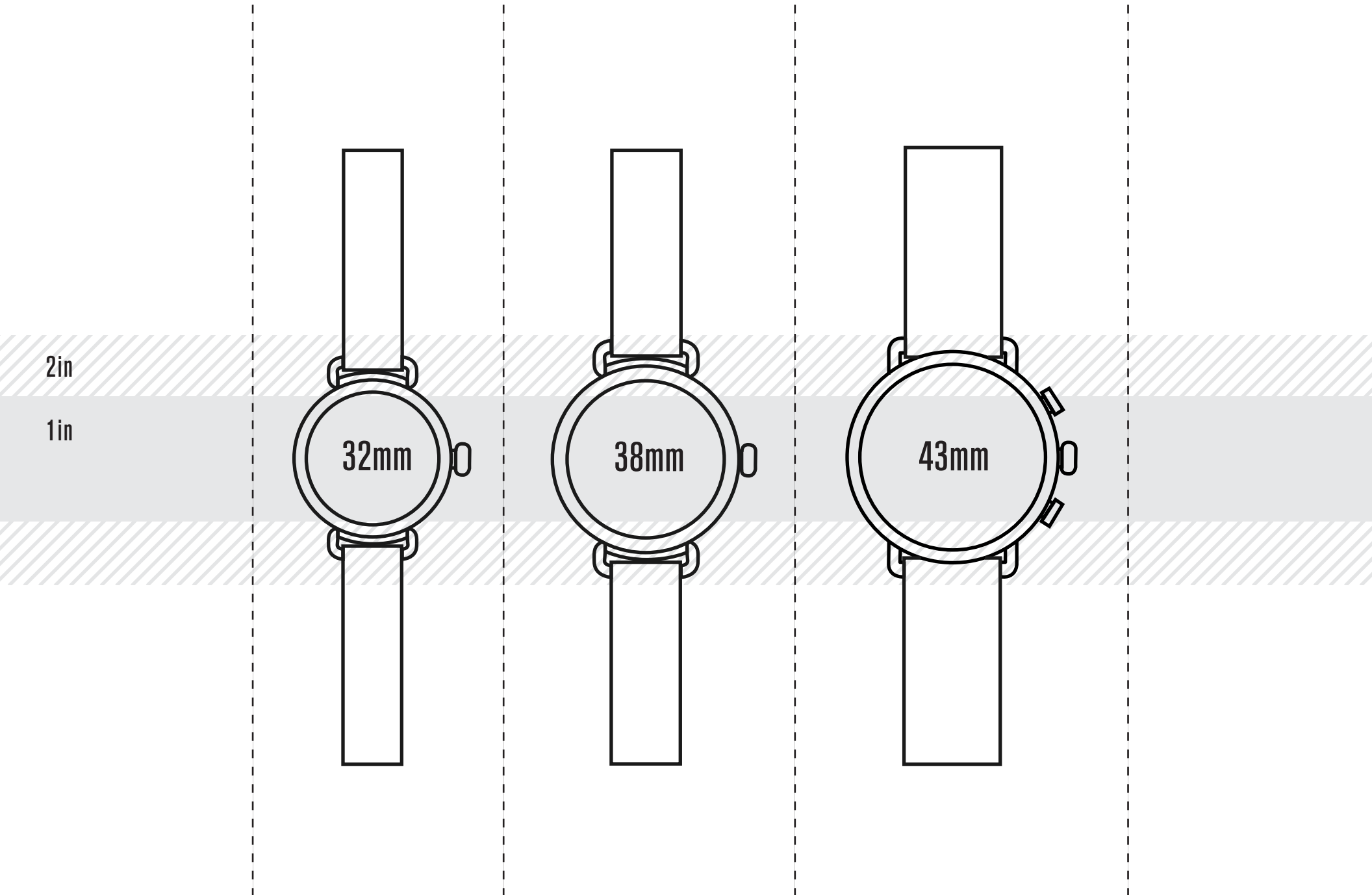


40mm



46mm

THE CANFIELD



2in

1in

32mm

38mm

43mm